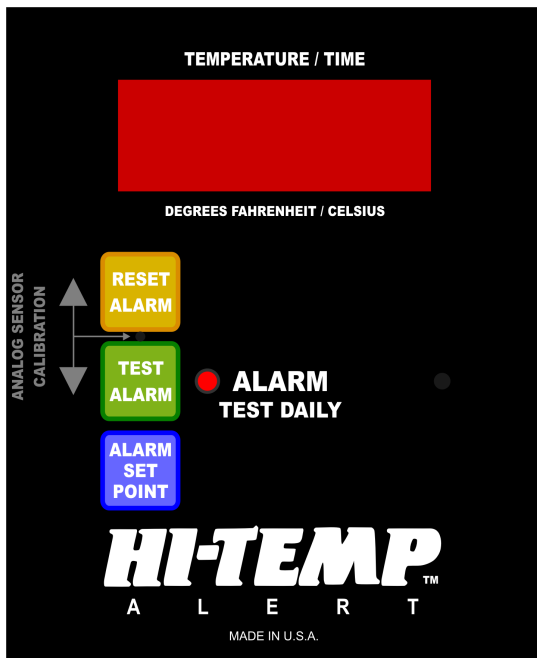


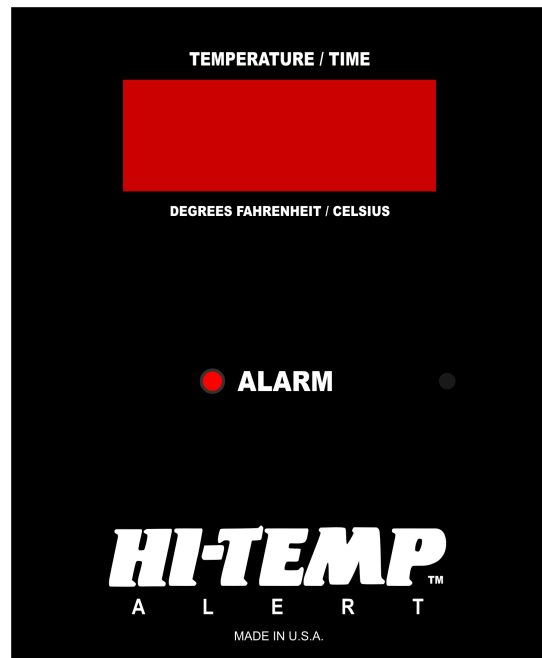
Hi-Temp Alert Operation Manual

The **Hi-Temp Alert** is designed to monitor temperatures and control the heating system in saunas, steam rooms and hot tubs. It consists of a Main and a Remote device. The Main device is located outside the controlled room. It is used to display the temperature inside the room, control the alarm and calibrate the temperature sensor. The Remote device is installed in the sauna or steam room or at the front desk. Its function is to measure and display the temperature inside the room.

Both devices have large, easily readable digital displays, which show the temperature inside the controlled room. The Remote device can also show the current time.



Main device



Remote device

OPERATION

The Hi-Temp Alert system monitors temperature inside the controlled room. If the temperature in the room reaches the preset alert temperature, the red ALARM light starts blinking, the alarm buzzer is activated and power to the heating system is disconnected.

The alarm temperature and display modes can be changed with in Settings menu on pages 2-3.

Main device has three main buttons.

Reset Alarm button deactivates the buzzer. It will not rest the heater until the temperature drops below the set point

Test Alarm button is used to test the functionality of the device. When pressed, the device reacts as if there is a real alarm. Alarms on both the main and remote devices will activate. Press **Reset Alarm** button to stop the test.

Alarm Set Point button shows for 3 seconds the preset temperature for the activation of the alarm.

The Hi-Temp Alert has a fail-safe circuit that disconnects power to the heating system if the control circuit of the device fails.

Hi-Temp Alert

DISPLAY

Two upper dashes – the measured temperature is above 125°C / 257°F

Two lower dashes – the measured temperature is below -25°C / -13°F

Dot in the lower right corner – device is in Remote mode

Two middle dashes on Remote device – no connection between the Main and Remote devices.

Remote Device is turned off – alarm Led on Main Device starts blinking after one minute.

SETTINGS

The three front buttons (plus 1 hidden accessible through pinhole) can be used to navigate through the device settings menu:

- **Reset Alarm** – up / increase value
- **Test Alarm** – down / decrease value
- **Alarm Set Point** – OK / next setting or parameter
- **Analog Sensor Calibration** (hidden – push with paperclip) – enter / exit settings menu

SETTINGS MENU – In normal operating mode push the hidden button with a paperclip or similar object to activate the settings menu. The menu start at Calibration and you can progress through the menu with the Alarm Set Point button. List of settings:

Calibration: Shows the actual temperature value, each button (up or down) press will change it by 1°F, or 0.5°C, so if the temperature display is set to Celsius you have to press twice to change by 1°C.

Hour setting: allows adjustment of the internal clock; the left 2 digits on the display show the actual hour, press up/down to change by 1 hour.

Minute setting: the right 2 digits show the minutes, press up/down to change by 1 minute.

Parameter setting: allows setting the device preferences; the left 2 digits show the parameter number, the right 2 digits show the parameter value

Hi-Temp Alert

P0: preference for what to show on display

time can be shown in 24h format or AM/PM format and displayed on Main, Remote, or both

temperature can be shown in Fahrenheit or Celsius (always shown on both devices)

setting	temp. format	time format	time on main	time on remote
00	F	-	no	no
01	F & C	-	no	no
02	F	24h	no	yes
03	F & C	24h	no	yes
06	F	AM/PM	no	yes
07	F & C	AM/PM	no	yes
08	F	24h	yes	no
09	F & C	24h	yes	no
10	F	24h	yes	yes
11	F & C	24h	yes	yes
12	F	AM/PM	yes	no
13	F & C	AM/PM	yes	no
14	F	AM/PM	yes	yes
15	F & C	AM/PM	yes	yes
17	C	-	no	no
19	C	24h	no	yes
23	C	AM/PM	no	yes
25	C	24h	yes	no
29	C	AM/PM	yes	no
31	C	AM/PM	yes	yes

P1: at what temperature to activate alarm

00 40°C / 104°F

01 49°C / 120°F – **DEFAULT VALUE**

02 90°C / 194°F

Any other number will revert to 01

Hi-Temp Alert

P2: device hardware configuration

- 00 no remote, analog sensor – **DEFAULT VALUE**
 - 01 no remote, digit sensor
 - 02 remote present, analog sensor on main
 - 03 remote present, digit sensor on main
 - 06 remote present, analog sensor on remote
 - 07 remote present, digit sensor on remote
- Any other number will revert to 00

P3: how long to show time (in sec)

P4: how long to show temperature (in sec)

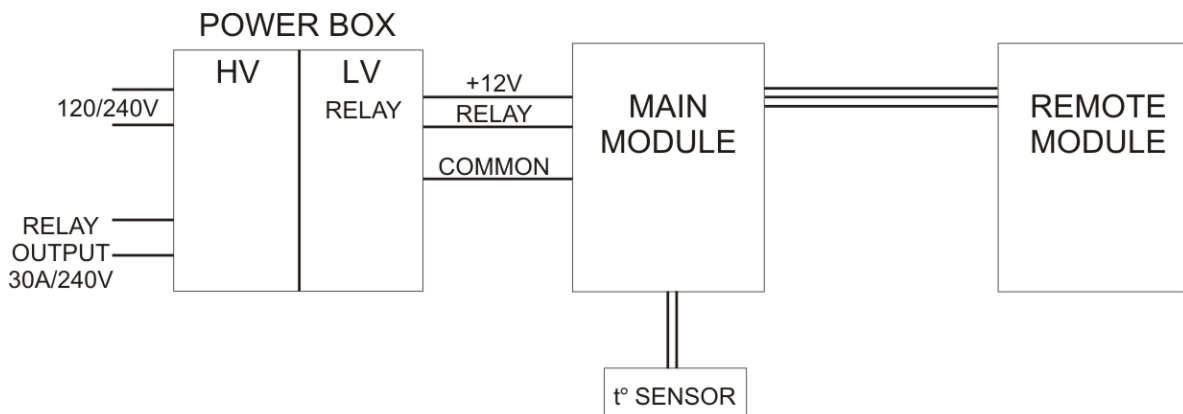
P3 and **P4** are used if **P0** is set to show both temperature and time, and **P4** is the same value for Celsius and Fahrenheit. Examples:

P0 = 01, **P3** = 3s, **P4** = 5s: during normal operation the display will show the clock for 3 seconds, then show the temperature in C for 5 seconds and then show the clock again for 3 seconds and so on.

P0 = 03, **P3** = 3s, **P4** = 5s: the display will show the clock for 3s, then the temp in C for 5s, then the temp in F for 5s, then clock for 3s and so on.

If **P0** is set to 00 or 04, **P3** and **P4** are ignored.

When finished changing the settings press the Analog Sensor Calibration button to exit the settings menu and go back to normal operation.



JENISSE LEISURE PRODUCTS, INC.
538 Newark Pompton Turnpike Suite 1
P.O. Box 428
Pompton Plains, NJ 07444 (973) 331-1177