

HI - TEMP ALERT OWNERS MANUAL

JENISSE LEISURE PRODUCTS, INC.
538 Newark Pompton Turnpike
Suite 1
P.O. Box 428
Pompton Plains, NJ 07444
(973) 331-1177

Operation

The alarm is to be used in conjunction with a heating device being used to heat a SAUNA ROOM, STEAM ROOM OR SPA/HOT TUB. The alarm is set at the maximum allowable operating temperature.* If the temperature rises above the set point, the alarm will sound and disconnect the heating source simultaneously. The alarm is designed with two user conveniences. It will display the actual temperature of the water or air and the set point for the alarm. The audible part of the alarm can be silenced after it has been activated by a high temperature condition. This will not reset the power to the heating source. The heating source can only be reset by the attendant after the water or air has cooled to a point below the alarm set point. There is an output ON indicator to the right of the digital display. This dot indicates that the output to the heater relay is on.

*Check local codes.

NOTE: THE CAUSE OF THE OVERHEATING SHOULD BE DETERMINED AND CORRECTED BEFORE RESETTING ALARM.

WARNING

DO NOT CONNECT WITH THE POWER ON. THIS WILL DAMAGE THE ALARM AND VOID THE WARRANTY.

LOCATION:

The alarm consists of two parts: 1) the alarm box and 2) the power interface. The alarm box should be in a conspicuous location to allow the user of the facility to be aware of the temperature of SAUNA, STEAM or SPA/HOT TUB and be alerted to the alarm if activated.

The power interface should be located so it can be easily connected to heating source.

CONNECTING THE POWER INTERFACE:

The power interface needs a separate 120 or 240 volt circuit connected to the appropriate leads of the transformer. Red and black for 120 volts, Red and red for 240 volts. (Wire nut the unused lead.)

Terminal A1 and A2 are to be connected in series with the control circuit of the heat source. Install jumper wire between terminals C1 and C2 using crimp terminals provided. All wire entering interface box should be rated for at least 300 volts.

CONNECTING THE ALARM BOX:

The alarm box has a terminal strip with terminals from 1 to 7. All wires entering this box are low voltage.

Terminal 1 and 2 are connected to the 2 blue leads in the interface box. Terminals 3 and 4 are connected to the temperature probe, Terminal 3 being negative (gray wire), Terminal 4 positive (red wire).

The probe can be run up to 500 feet away from the alarm box. Due to voltage drops the following wire sizes are recommended.

Maximum distance of probe from Hi-Temp Alert

Wire Size

50Ft. #20

75Ft. #18

125Ft #16

175Ft. #14

300Ft. #12

The alarm can also be fine tuned to individual temperature variations by adjusting the center adjustment screw, marked CAL. **(DO NOT ADJUST SCREW TO THE RIGHT OF THE DISPLAY MARKED GAIN)**

CAUTION: SHORTING TERMINALS #5 AND #6 OR #5 AND #7 IN ALARM BOX WILL DAMAGE THE CIRCUIT BOARD.

USING AN AUXILIARY SIGNALING DEVICE REQUIRING MORE THAN .4 AMPS @ 12VDC WILL DAMAGE THE HI TEMP BOARD AND VOID WARRANTY.

AUXILIARY SIGNALING DEVICE:

The alarm signaling device is rated 82 DB. at 4 ft. If a louder signal is needed or more that 1 location is needed, use the cube relay in the power supply to switch on the power to a remote device. Illustration is below.

ADJUSTING TEMPERATURE SET POINT:

The alarm box has a set point screw inside the unit on the circuit board located to the left of the display. Hold the display switch to the alarm temperature setting. With a small screwdriver, turn the set point screw until the LED Display reads (SAUNA - 194 degrees) (STEAM ROOM - 120 degrees) (SPA/HOT TUB - 104 degrees)*

*These are NY City temperature limits, check your local requirements!

SENSOR PROBE INSTALLATION

SAUNA AND STEAM ROOMS:

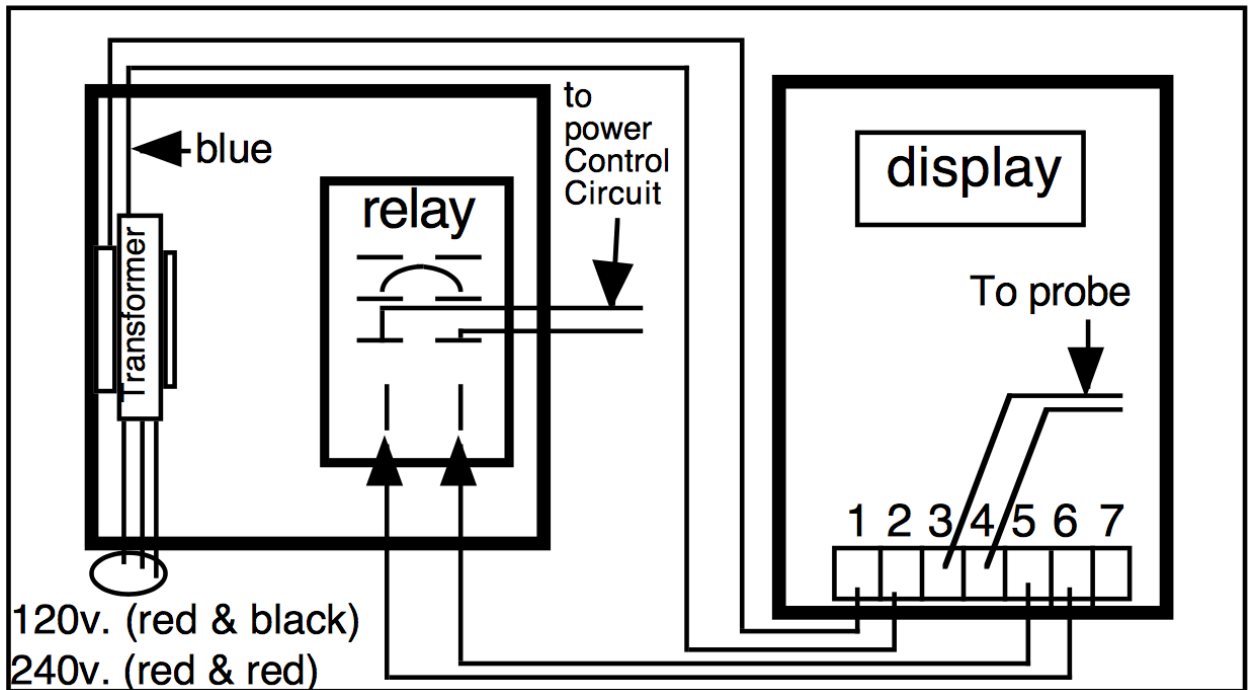
The temperature probe is installed on the ceiling of the steam or sauna room, centered over the longest bench in the room. Use the nylon Clamp to hold the probe in place. Seal the hole with silicone sealant. Be sure air can circulate around the probe. Sensor probe can be installed at location of test by authorities, to help comply with codes. (NOTE: This is an arbitrary test location and temperatures vary around the rooms.)

SPA/HOT TUBS

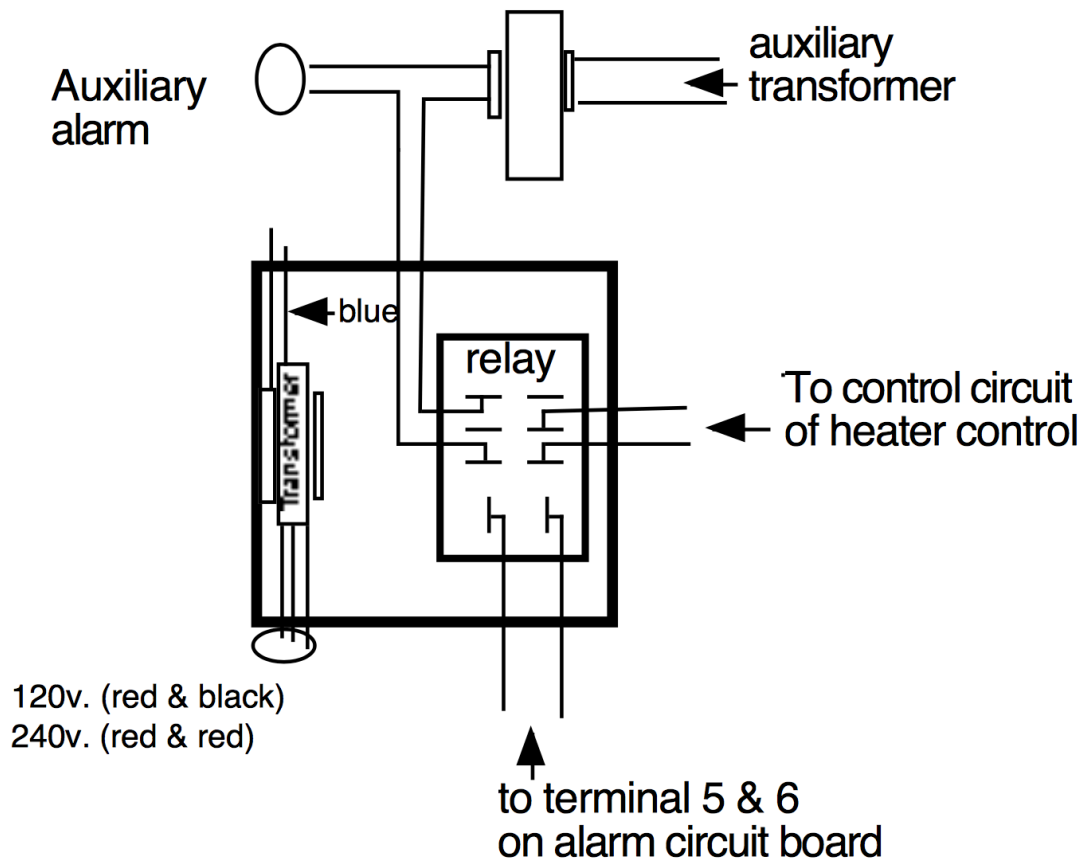
To use the HI-TEMP ALARM for a spa/hot tub, the probe must be installed in the filter circulation system on the suction side of the pump. If the system is valved for the skimmer and main drain, be sure to use the main drain pipe or after the two lines are teed together. The probe is installed in a well. (Not supplied with alarm) The well is installed in the run of the tee, bushing down to 1/2 inch F.I.P.

Note: If display reads 3.XX(X=any number), wire leads on Terminals #3 and #4 are reversed.

Alarm Schematic



Auxiliary alarm schematic



LIMITED WARRANTY
HI - TEMP ALERT

=====

=====

Your HI TEMP ALERT alarm system is warranted to the original user for a period of twelve (12) months from date of original purchase/installation/start up (maximum 6 months after purchase) against defects in manufacture, provided the unit is installed as per the enclosed instructions.

PLEASE NOTE: HOOK UP WHEN POWER IS ON, INCLUDING DISCONNECTING & RECONNECTING PROBES WILL DAMAGE THE UNIT AND VOID THE WARRANTY!!.

It is limited to repair (parts & labor) or replacement of the defective part without charge (unit must be returned to us). Please note that field service is available in New York Metro area, at a cost.

Upon discovery of a defect or malfunction, notify Jenisse Leisure Products, Inc. as soon as possible by telephone or in writing.

To obtain information about, or performance of warranty obligations, contact Jenisse Leisure Products Inc. PO Box 428 Pompton Plains, NJ 07444 Phone: 973/331-1177.

Jenisse Leisure Products, Inc. assumes no liability for incidental or consequential damages. No distributor, dealer or other person has any authority to make any warranties or represent actions concerning Jenisse Leisure Products, Inc. products. Accordingly, Jenisse Leisure Products is not responsible for any such warranties or representations.

This warranty gives you specific legal rights, and may also have other rights which vary from state to state.

c.9/12/2023

JENISSE LEISURE PRODUCTS, INC.

538 Newark Pompton Turnpike
Suite 1
Pompton Plains, NJ 07444
(973) 331-1177

HI-TEMP™
A L E R T

jenisse.net web site (for more info)